

Specifications

| | |
|-----------------------------|--|
| Display Technology | Liquid Crystal Display |
| LCD Panel | 3x0.63" (4:3) |
| Brightness (ISO lumens) | 6000 lumens |
| Resolution | XGA (1024x768) Supports highest to WUXGA |
| Number of pixels | 786,432 (1024x768)x3, total of 2,359,296 pixels |
| Contrast | 3500000:1 |
| Center to corner uniformity | > 90% |
| Lens | F2.0~2.16, f=9.77~11.32mm, Manual zoom (1.2x), Manual focus |
| Screen size | 60"-300" |
| Throw distance | 0.88m~5.30m |
| Throw Ratio | 0.73-0.86 |
| Light Source (Service life) | Laser diode (Normal mode: 20000h, Eco mode: 25000h) |
| Lens Shift | Up:35% (Manual), Down: 5% (Manual), Horizontal: ±10% (Manual) |
| Keystone Correction | Vertical: ±40° (Auto, Manual), Horizontal: ±15° (Manual) |
| Input Terminals | PC: DVI-D x1, VGA (D-sub 15pin)x1 Audio: Audio in: mini jack x1 (3.5mm) Video: HDMI x1, Video x1 (RCA) Other: USBx2, HDbaseTx 1 |
| Output Terminals | VGA (D-sub 15pin) x1, Audio out (Mini-jack) x1 (3.5mm) |
| Control Terminals | Rs232 (D-sub 9pin) x1, RJ-45 x1 (Control) |
| PC input signal | PC-VGA, SVGA, XGA, SXGA, WXGA, UXGA, WUXGA / Mac |
| Video input signal | PAL, SECAM, NTSC (480i, 480p, 576i, 576p, 720p, 1080i, 1080p) |
| Scanning Frequency | Horizontal: 15~90kHz, Vertical: 24~85Hz |
| Noise | Normal mode: 37dB, Eco mode: 29dB |
| Projection Method | Ceiling/floor, front/rear (Auto Image Rotation) |
| Speaker | 10W x 1 |
| Weight | 11 Kg |
| Dimension (WxHxD) | 545 x 135 x 345mm (not incl. protruded part) |
| Power Consumption | 100~240V AC (50/60Hz) |
| Standby power consumption | 460W max (≤ 0.5W when standby mode set to Eco) |
| Operating Environment | Operating temperature: 0°C~40°C, Operating Humidity: 20%~80% (non-condensation) |
| Standard accessory | Wireless remote control, power cord |
| Functions | <ul style="list-style-type: none"> Built-in LAN for remote monitoring DICOM simulation mode Overheat automatic shutdown function Quick start and Quick off One-button black screen function Quiet 29dB (Eco mode) Compatible with PJ-Link™ AMX™ Crestron Password locking and anti-theft lock latch Blackboard modes for colored screen surfaces USB Memory Viewer |



VIN-X6A-S

Specifications Sheet

Projection Distance

XGA (4:3 aspect ratio)

| Screen Size (inch) | Min. (wide)(meter) | Max. (tele)(meter) |
|--------------------|--------------------|--------------------|
| 60" | 0.88 | 1.04 |
| 100" | 1.49 | 1.75 |
| 120" | 1.80 | 2.11 |
| 150" | 2.26 | 2.65 |
| 200" | 3.03 | 3.55 |
| 300" | 4.45 | 5.30 |

WXGA (16:10 aspect ratio)

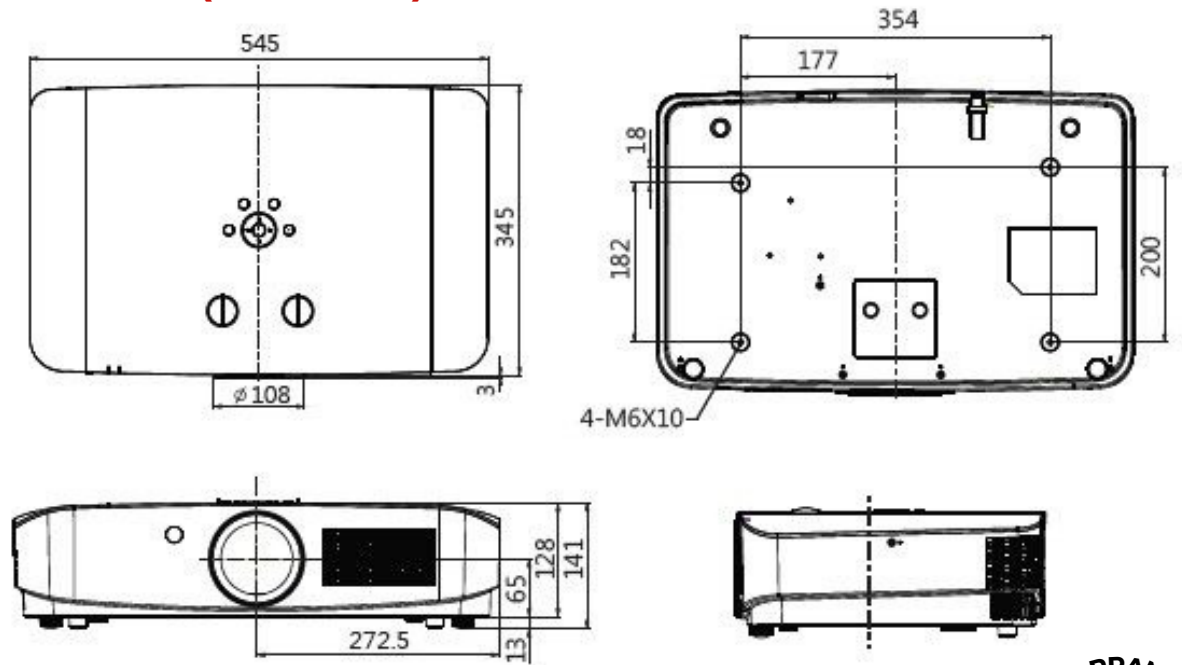
| | | |
|------|------|------|
| 60" | 0.86 | 1.02 |
| 80" | 1.47 | 1.73 |
| 100" | 1.77 | 2.08 |
| 150" | 2.22 | 2.61 |
| 200" | 2.98 | 3.09 |
| 300" | 4.32 | 5.16 |

WUXGA (16:10 aspect ratio)

| | | |
|------|------|------|
| 60" | 0.86 | 1.02 |
| 100" | 1.47 | 1.73 |
| 120" | 1.77 | 2.08 |
| 150" | 2.22 | 2.61 |
| 200" | 2.98 | 3.09 |
| 300" | 4.32 | 5.16 |



Dimension (Unit: mm)



*Specifications and the product's design are subject to change without notice.

** Brightness specification may vary dependent upon lens throw ratio

*** Registration for 6th & 7th year warranty is required.

