

### Specifications

|                             |  |
|-----------------------------|--|
| Display Technology          | Liquid Crystal Display   |
| LCD Panel                   | 3x0.63" (4:3)  |
| Brightness (ISO lumens)     | 7000 Lumens  |
| Resolution                  | XGA (1024x768) Supports highest to WUXGA   |
| Number of pixels            | 786,432 (1024x 768)x3, total of 2,359,296 pixels   |
| Contrast                    | 3500000:1  |
| Center to corner uniformity | > 90%  |
| Lens                        | F1.6~1.9, f=15.31~24.64mm, Manual zoom (1.6x), Manual focus  |
| Screen size                 | 30"-300"   |
| Throw distance              | 0.7m~11.04m  |
| Throw Ratio                 | 1.15-1.84  |
| Light Source (Service life) | Laser diode (Normal mode: 20000h, Eco mode: 25000h)  |
| Lens Shift                  | Vertical: ±40% (Manual), Horizontal: ±10% (Manual)   |
| Keystone Correction         | Vertical: ±40° (Auto, Manual), Horizontal: ±15° (Manual)   |
| Input Terminals             | PC: DVI-D x1, VGA (D-sub 15pin)x1<br>Audio: Audio in: mini jack x1 (3.5mm)<br>Video: HDMI x1, Video x1 (RCA)<br>Other: USB x2  |
| Output Terminals            | VGA (D-sub 15pin) x1, Audio out (Mini-jack) x1 (3.5mm)   |
| Control Terminals           | Rs232 (D-sub 9pin) x1, RJ-45 x1 (Control)  |
| PC input signal             | PC-VGA, SVGA, XGA, SXGA, WXGA, UXGA, WUXGA / Mac   |
| Video input signal          | PAL, SECAM, NTSC (480i, 480p, 576i, 576p, 720p, 1080i, 1080p)  |
| Scanning Frequency          | Horizontal: 15~90kHz, Vertical: 24~85Hz  |
| Noise                       | Normal mode: 37dB, Eco mode: 29dB  |
| Projection Method           | Ceiling/floor, front/rear (Auto Image Rotation)  |
| Speaker                     | 10W x 1  |
| Weight                      | 9.5 Kg   |
| Dimension (WxHxD)           | 545 x 128 x 345mm (not incl. protruded part)   |
| Power Consumption           | 100~240V AC (50/60Hz)  |
| Standby power consumption   | 460W max (≤ 0.5W when standby mode set to Eco)   |
| Operating Environment       | Operating temperature: 0°C~40°C,<br>Operating humidity: 20%~80% (non-condensation)   |
| Standard accessory          | Wireless remote control, power cord  |
| Functions                   | <ul style="list-style-type: none"> <li>Built-in LAN for remote monitoring</li> <li>DICOM simulation mode</li> <li>Overheat automatic shutdown function</li> <li>Quick start and Quick off</li> <li>One-button black screen function</li> <li>Quiet 29dB (Eco mode)</li> <li>Compatible with PJ-Link `AMX` Crestron</li> <li>Password locking and anti-theft lock latch</li> <li>Blackboard modes for colored screen surfaces</li> <li>USB Memory Viewer</li> </ul> |



## VIN-X7A

Specifications Sheet

### Projection Distance

#### XGA (4:3 aspect ratio)

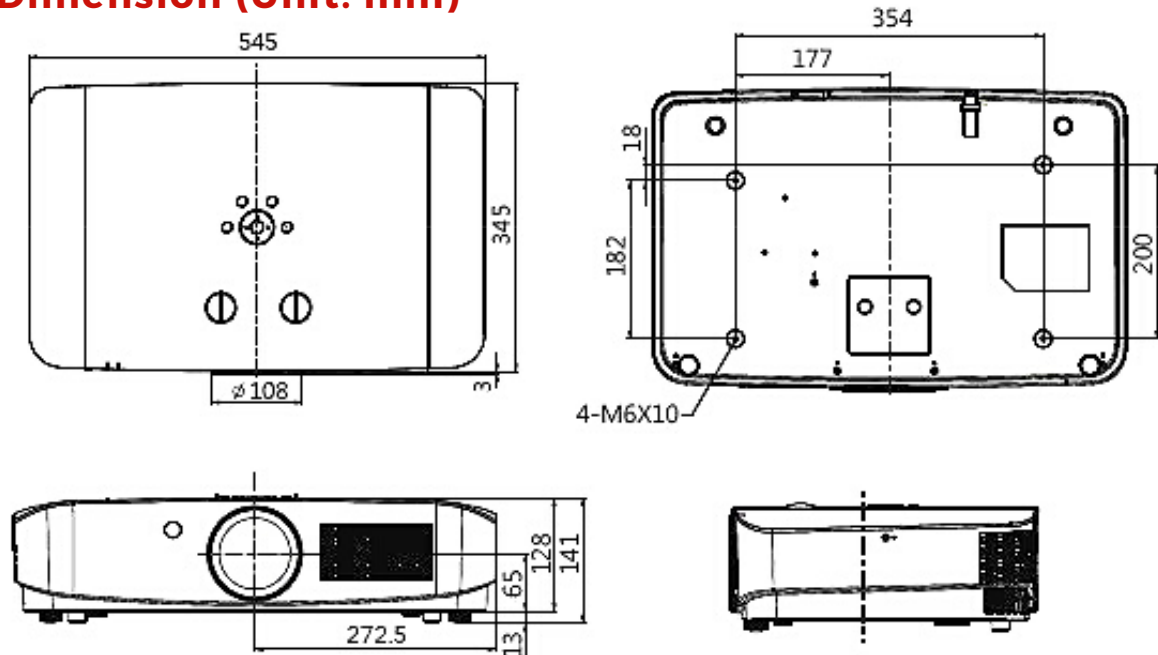
| Screen Size (inch) | Min. (wide)(meter) | Max. (tele)(meter) |
|--------------------|--------------------|--------------------|
| 30"                | 0.70               | 1.12               |
| 60"                | 1.45               | 2.34               |
| 86"                | 2.03               | 3.31               |
| 100"               | 2.30               | 3.70               |
| 120"               | 2.85               | 4.64               |
| 150"               | 3.50               | 5.60               |
| 180"               | 4.37               | 7.04               |
| 200"               | 4.70               | 7.50               |
| 300"               | 7.00               | 11.04              |

#### WXGA (16:10 aspect ratio)

|      |      |       |
|------|------|-------|
| 30"  | 0.68 | 1.09  |
| 60"  | 1.43 | 2.31  |
| 86"  | 2.05 | 3.31  |
| 100" | 2.26 | 3.61  |
| 120" | 2.87 | 4.62  |
| 150" | 3.39 | 5.43  |
| 180" | 4.30 | 6.93  |
| 200" | 4.53 | 7.24  |
| 300" | 6.78 | 10.84 |



### Dimension (Unit: mm)



\*Specifications and the product's design are subject to change without notice.

\*\* Brightness specification may vary dependent upon lens throw ratio

\*\*\* Registration for 6th & 7th year warranty is required.

